



CM-FB4

Fire Alarm Bell 4 Inch

ISO9001

Approvals: CE RoHS

CM-FB6

Fire Alarm Bell 6 Inch

ISO9001

Approvals: CE RoHS



ADVANTAGES CM-FB4 & CM-FB6

- * The way of motor-driven is taken at the low consumption of current to reduce the load for power output from receiver terminal
- * This design of exceptional structure is sturdy and durable. The bell even can ring to last 40 hours without decline of the performance and structure

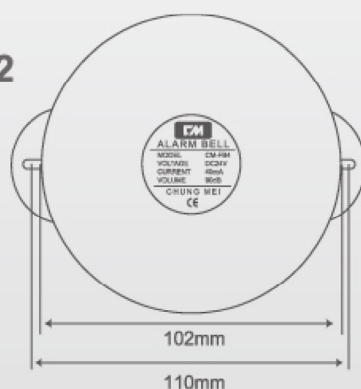
SPECIFICATION

MODEL NO.	CM-FB4	CM-FB412	CM-FB6	CM-FB612
VOLTAGE RANGE	24V DC	12V DC	24V DC	12V DC
ALARM CURRENT	40 mA	60 mA	35 mA	60 mA
MOVEMENT	Motor			
MATERIAL	1.8 mm Steel Sheet		3.0 Alloy Alu	
DIMENSIONS	Φ4" (102mm)		Φ6" (150mm)	
WEIGHT	340g		418g	
SOUND OUTPUT	90 dB / M and above			
COLOR	Red			

ORDER INFORMATION

CM-FB4	Φ4" : 24V DC	CM-FB6	Φ6" : 24V DC
CM-FB412	Φ4" : 12V DC	CM-FB612	Φ6" : 12V DC

CM-FB4 CM-FB412



CM-FB6 CM-FB612

