

บริษัท ที.เอส.อาร์. - เทเลคอม ซีเอสเอ็มเอส จำกัด  
โทร 02-528-0383 ถึง 7  
Email : sales@tsr.co.th  
Line ID : @tsrtelecom  
Website : tsr.co.th

## Company Profile



**CHUNG MEI**, which was founded in 1970, is a professional fire alarm system manufacturer and designer in Taiwan. We offer high quality products including detectors, control panels, fire alarm accessories, and others. Our company has been steadily growing more than 40 years, and we have accumulated lots of technical and marketing experience. We have dedicated ourselves in research and development of new products by escalating standards of technology and quality.

**Our** product line is compliant with the Chinese National Standard (CNS), ISO 9001 as well as the safety standard of European Union (CE). In addition to being the leader brand in Taiwan with well-recognized quality, we have been working on expanding our oversea markets. Our products are available in many countries in America, Europe, Asia and Africa. It is the ultimate goal of our company to put our products in every major market of the world. Our philosophy is to take care of all the customers' needs and people's safety.

### Company:

Chung Mei Fire Fighting  
Supplier Co., Ltd.

### Address:

No.82, Jen Yi St., Wuri Dist.,  
Taichung City 41472, Taiwan  
(R.O.C)

Tel: +886-4-23371072

Fax: +886-4-23383571

Website: [www.chungmei.net](http://www.chungmei.net)

E-mail: [export@chungmei.net](mailto:export@chungmei.net)

# Content

## Detectors

CM-WT33L Photoelectric Type Smoke Detector.....	01
CM-WT32L Photoelectric Type Smoke Detector with Duo-LEDs.....	03
CM-WS25L Rate of Rise Heat Detector.....	04
CM-WS19L Rate of Rise Heat Detector.....	05
CM-WK100L Fixed Temperature Heat Detector.....	06
CM-WT30L& CM-WT12L Photoelectric Type Smoke Detector.....	07
CM-WTK55 Combination Smoke and Heat Detector.....	08
CM-WSK701 Multipurpose Heat Detector.....	09
CM-RD999 Residential Photoelectric Smoke Detector.....	10
4 Inch Mounting Base.....	11
5 Inch Mounting Base & 6 Inch Mounting Base.....	13

## Accessories

CM-FP1 & CM-FP116 Fire Manual Call Point.....	15
CM-FB6 Fire Alarm Bell 6 Inch & CM-FB4 Fire Alarm Bell 4 Inch.....	16
CM-FL3 & CM-FL2 Fire Indicating Lamp & PI-01 Remote Indicating Lamp.....	17
CM-PBL1 Fire Alarm Complex (Surface) & CM-PBL2 Fire Alarm Complex (Recess).....	18

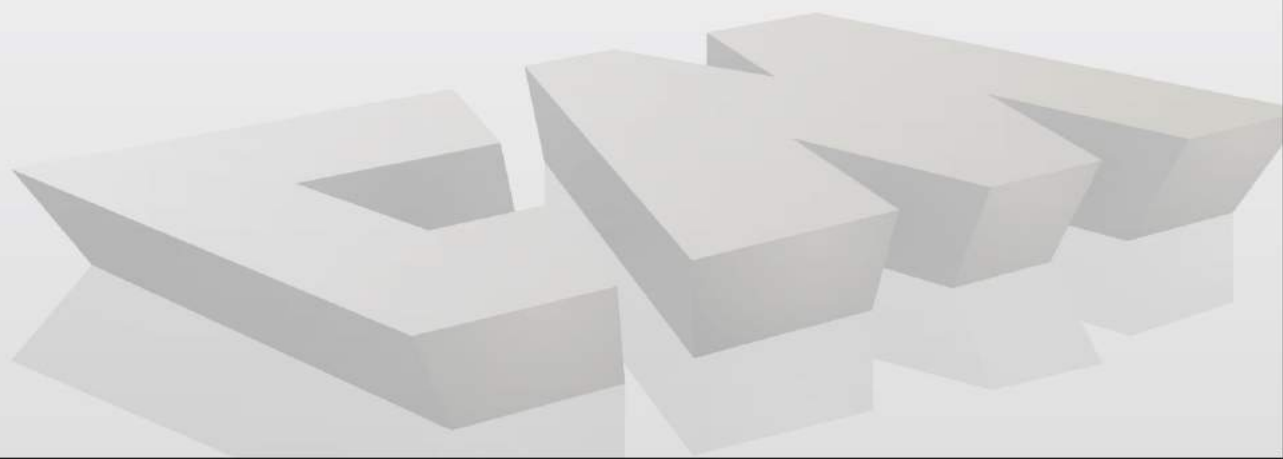
## Control Panels

CM-P1 Fire Alarm Control Panel.....	19
CM-P3 Fire Alarm Control Panel.....	20

## Annunciators

CM-CA The Alarm LED Annunciator.....	21
--------------------------------------	----

Packing List.....	22
-------------------	----



# CM-WT33L

Photoelectric Type Smoke Detector

ISO9001

Approvals: CE



## ■ ADVANTAGES

- \* Dual LEDs for 360-degree visibility
- \* With the photoelectric sensing principle, this kind of detector is activated more quickly, accurately and reliably, and there are no false alarm due to chemicals, exhaust gas, wind and exterior light
- \* Detector has passed EMC test, which greatly eliminates false alarms caused by interference from nearby sources
- \* Pretty and jointless outward
- \* Duo-LEDs display monitor and alarm; easy to identify the current status of the detector

## ■ SPECIFICATION

MODEL NO.	CM-WT33L		SENSITIVITY SETTING	Comply to EN54, CNS
TYPE	2-wire	3-wire	AMBIENT TEMP.	-10°C ~ +55°C
VOLTAGE RANGE	12V ~ 30V DC		AMBIENT HUMIDITY	0 ~ 95%
ALARM CURRENT	30mA(MAX.)		MATERIAL	Fire-Proof plastics
STANDBY CURRENT	24V DC / 20 ~ 30 μA		DIMENSIONS	102 (Dia.) × 48(H)mm
POLARIZATION	Non-polarized	Polarized	WEIGHT	131g
COLOR	White			

## ■ EFFECTIVE ALERT AREA

HEIGHT	UNDER 4 M	4M ~ 8M
AREA COVER	150 M <sup>2</sup>	75M <sup>2</sup>

## ■ ORDER INFORMATION

CM-WT33L-31	3-wire with remote indicator output
-------------	-------------------------------------

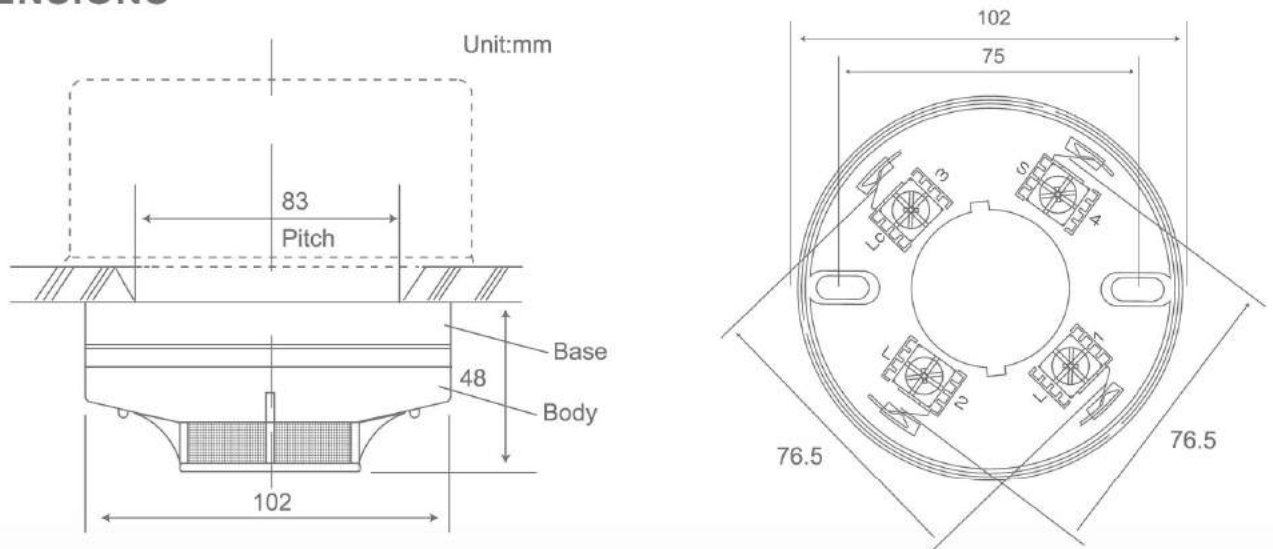
# CM-BSN3

4 Inch Mounting Base

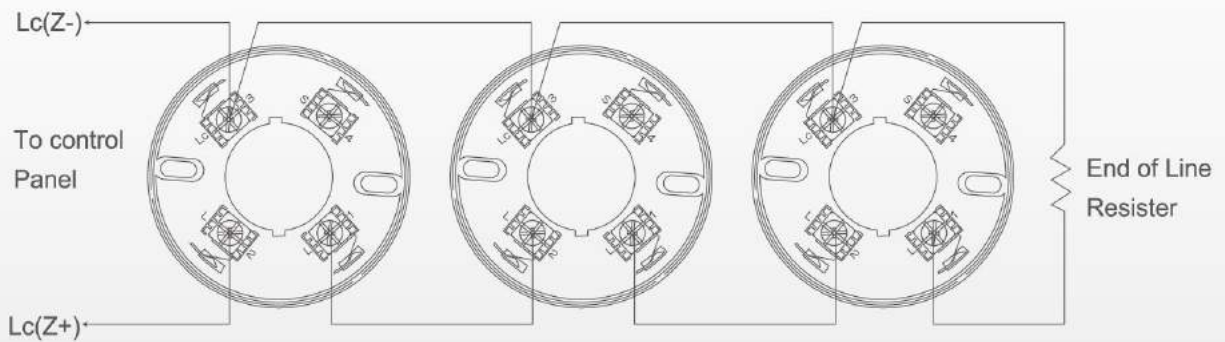
ISO9001  
Approvals: CE



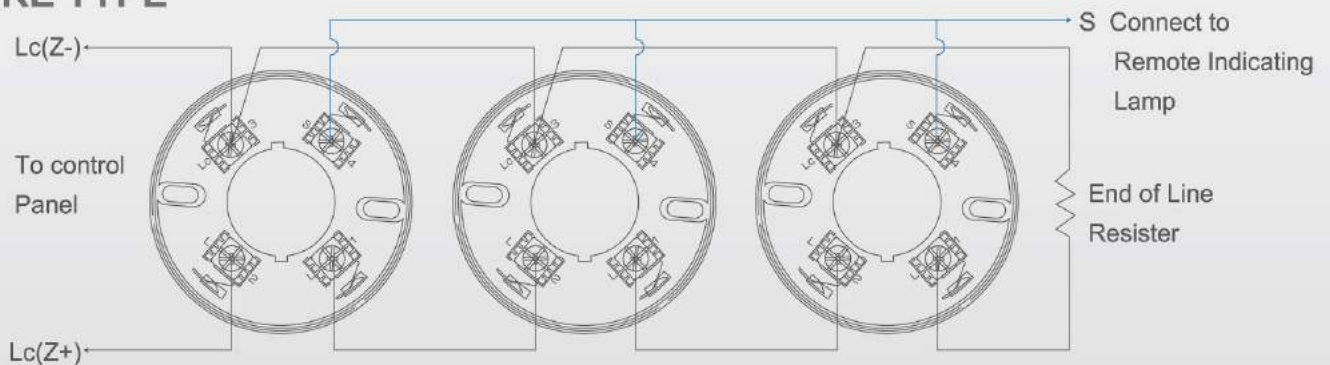
## DIMENSIONS



## 2-WIRE TYPE



## 3-WIRE TYPE





# CM-WT32L

Photoelectric Type Smoke Detector with Duo-LEDs

ISO9001

Approvals: CE

# CM-BSN2

4 Inch Mounting Base

ISO9001

Approvals: CE



## ADVANTAGES

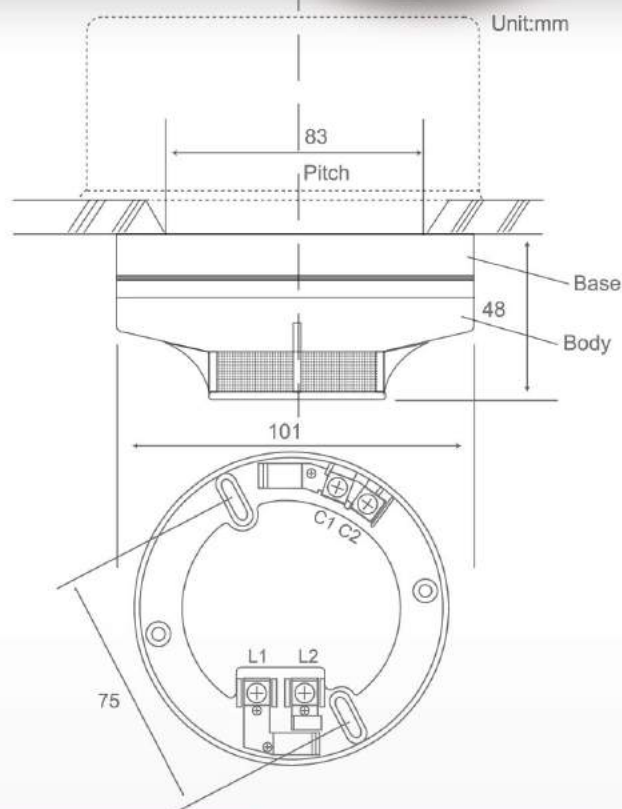
- \* With the photoelectric sensing principle, this kind of detector is activated more quickly, accurately and reliably, and there are no false alarm due to chemicals, exhaust gas, wind and exterior light
- \* Detector has passed EMC test, which greatly eliminates false alarms caused by interference from nearby sources
- \* Duo-LEDs display separately; easy to identify the current status of the detector

## EFFECTIVE ALERT AREA

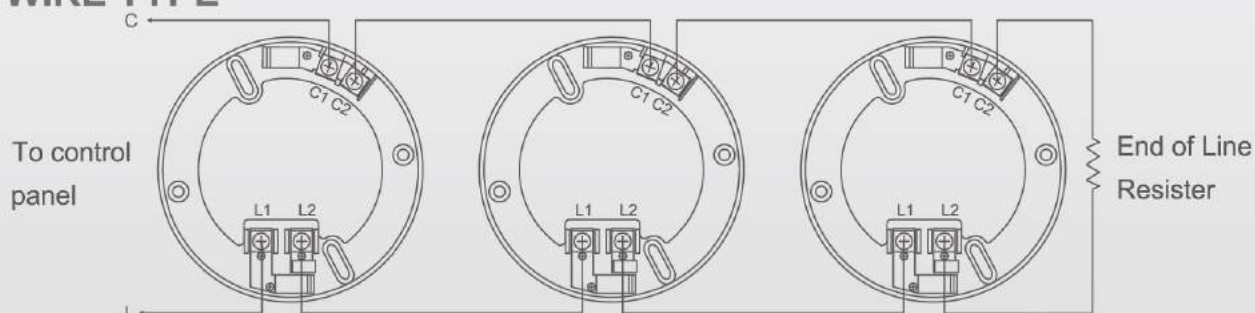
HEIGHT	UNDER 4 M	4M ~ 8M
AREA COVER	150 M <sup>2</sup>	75 M <sup>2</sup>

## SPECIFICATION

MODEL NO.	CM-WT32L	SENSITIVITY SETTING	Comply to EN54, CNS
TYPE	2-wire	AMBIENT TEMP.	-10°C ~ +55°C
VOLTAGE RANGE	12V ~ 30V DC	AMBIENT HUMIDITY	0 ~ 95%
ALARM CURRENT	30mA(Max.)	MATERIAL	Fire-Proof plastics
STANDBY CURRENT	24V DC / 25 ~ 30μA	DIMENSIONS	101 (Dia.) × 48(H)mm
POLARIZATION	Non-polarized	WEIGHT	133g
		COLOR	Creamy White



## 2-WIRE TYPE



# CM-WS25L

Rate of Rise Heat Detector

ISO9001

Approvals: CE

# CM-BSN2

4 Inch Mounting Base

ISO9001

Approvals: CE

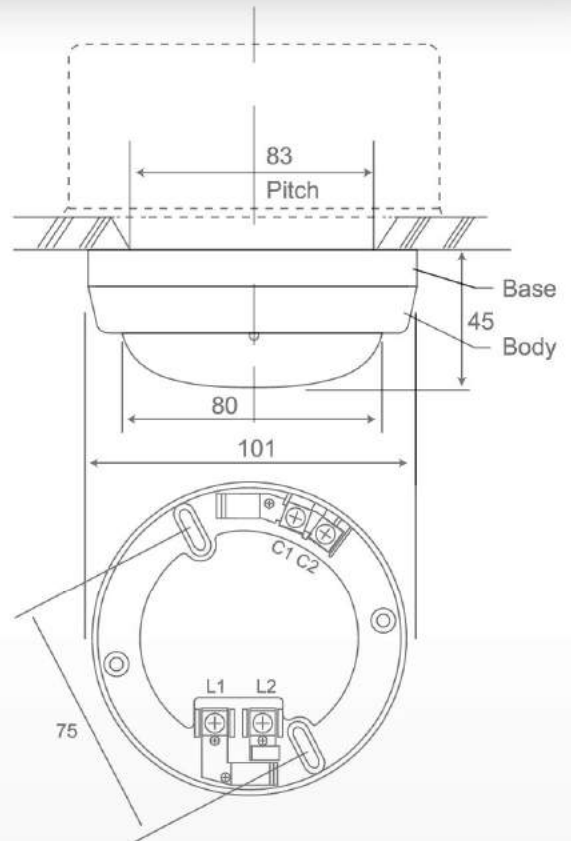


## ADVANTAGES

- \* Mechanical operating principles ensure the long-term durability and the least malfunction
- \* Self-restoring function ensures the elements repeatedly use
- \* The exhaust valve of R.O.R. Heat Detector part uses optical fiber glass capillary tubing that's heat-resistant and moisture-proof. Therefore, the fault alarm never occurs

## EFFECTIVE ALERT AREA

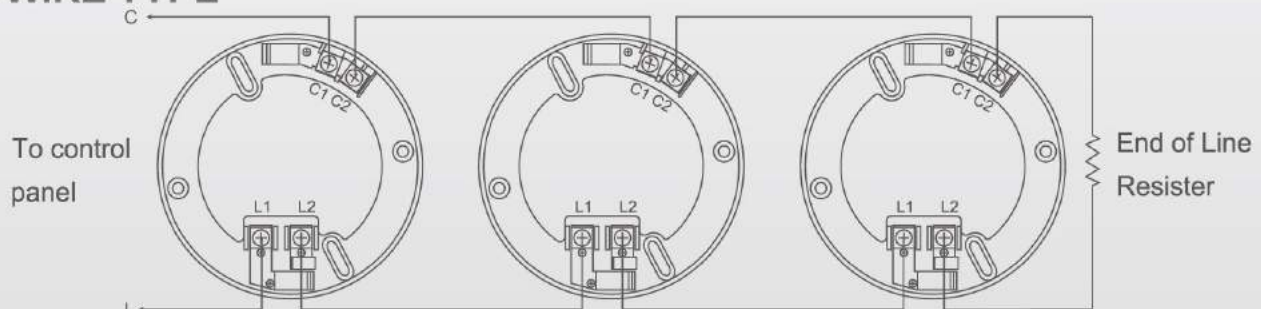
HEIGHT/CONSTRUCTION	UNDER 4 M	4M ~ 8M
Fire-Proof Building	70 M <sup>2</sup>	35 M <sup>2</sup>
Ordinary Building	40 M <sup>2</sup>	25 M <sup>2</sup>



## SPECIFICATION

MODEL NO.	CM-WS25L	AMBIENT HUMIDITY	0 ~ 95%	VOLTAGE RANGE	12V ~ 30V DC
TYPE	2-wire	AMBIENT TEMP.	-10°C ~ +55°C	ALARM CURRENT @ DC 24V 750Ω	30 mA (Max.)
WEIGHT	155g	DIMENSIONS	101 (Dia.) × 45(H)mm	ALARM TEMP.	Comply to EN54, CNS
COLOR	Creamy White	POLARIZATION	Non-polarized		
MATERIAL	Fire-Proof plastics				

## 2-WIRE TYPE



# CM-WS19L

Rate of Rise Heat Detector

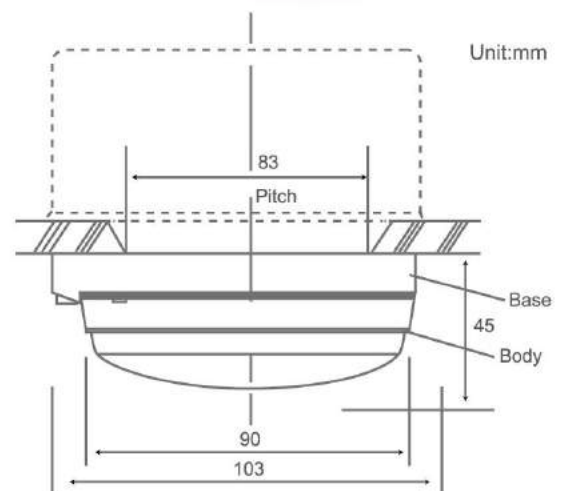
ISO9001

Approvals: CE



## ADVANTAGES

- \* Mechanical operating principles ensure the long-term durability and the least malfunction
- \* Self-restoring function ensures the elements repeatedly use
- \* The exhaust valve of R.O.R. Heat Detector part uses optical fiber glass capillary tubing that's heat-resistant and oisture-proof. Therefore, the fault alarm never occurs



## SPECIFICATION

MODEL NO.	CM-WS19L			ALARM TEMP.	Comply to EN54, CNS
TYPE	2-wire	3-wire	4-wire	AMBIENT TEMP.	-10°C ~ +55°C
VOLTAGE RANGE	12V ~ 30V DC			AMBIENT HUMIDITY	0 ~ 95%
ALARM CURRENT @ DC 24V 750Ω	30mA(Max.)			MATERIAL	Fire-Proof plastics
ALARM CONTACT	N/A		0.8A @30V DC	DIMENSIONS	103 (Dia.) × 45(H)mm
POLARIZATION	Non-polarized	Polarized	Non-polarized	WEIGHT	158g
				COLOR	Creamy White

## EFFECTIVE ALERT AREA

HEIGHT/CONSTRUCTION	UNDER 4 M	4M ~ 8M
Fire-Proof Building	70 M <sup>2</sup>	35 M <sup>2</sup>
Ordinary Building	40 M <sup>2</sup>	25 M <sup>2</sup>

## ORDER INFORMATION

CM-WS19L-31	3-wire with remote indicator output
CM-WS19L-31H	3-wire with self-protection
CM-WS19L-41	4-wire with relay output

# CM-WK100L

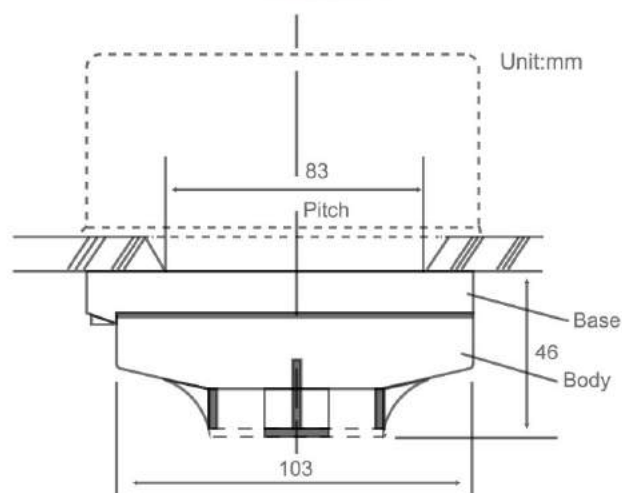
Fixed Temperature Heat Detector

ISO9001  
Approvals: CE



## ADVANTAGES

- \* Stabilized performance, long-term durability and least-malfunction are ensured by employing a bimetal mechanism
- \* The sensitive part is enclosed to prevent from being moistened and contaminated
- \* Self-restoring function ensures the elements repeatedly use



## SPECIFICATION

MODEL NO.	CM-WK100L			ALARM TEMP.	Comply to EN54, CNS
TYPE	2-wire	3-wire	4-wire	AMBIENT TEMP.	-10°C ~ +55°C
VOLTAGE RANGE	12V ~ 30V DC			AMBIENT HUMIDITY	0 ~ 95%
ALARM CURRENT @ DC 24V 750Ω	30mA(Max.)			MATERIAL	Fire-Proof plastics
ALARM CONTACT	N/A		0.8A @30V DC	DIMENSIONS	103 (Dia.) × 46(H)mm
POLARIZATION	Non-polarized	Polarized	Non-polarized	WEIGHT	103g
				COLOR	Creamy White

## EFFECTIVE ALERT AREA

HEIGHT/CONSTRUCTION	UNDER 4 M	4M ~ 8M
Fire-Proof Building	90 M <sup>2</sup>	45 M <sup>2</sup>
Ordinary Building	50 M <sup>2</sup>	30 M <sup>2</sup>

## ORDER INFORMATION

CM-WK100L-31	3-wire with remote indicator output
CM-WK100L-31H	3-wire with self-protection
CM-WK100L-41	4-wire with relay output



# CM-WT30L & CM-WT12L

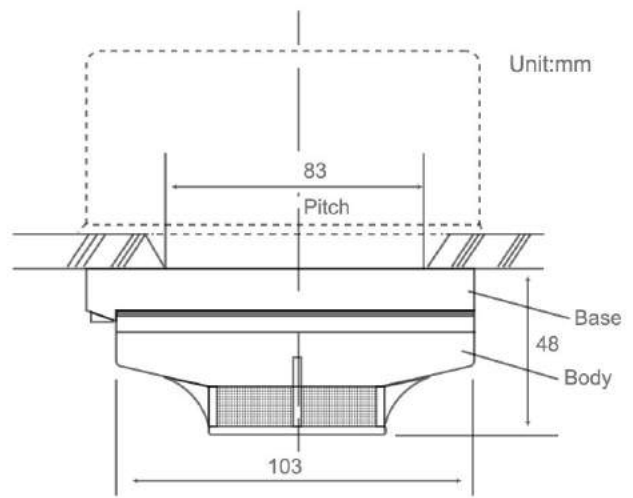
Photoelectric Type Smoke Detector

ISO9001  
Approvals: CE



## ADVANTAGES

- \* With the photoelectric sensing principle, this kind of detector is activated more quickly, accurately and reliably, and there are no false alarm due to chemicals, exhaust gas, wind and exterior light
- \* Detector has passed EMC test, which greatly eliminates false alarms caused by interference from nearby sources



## SPECIFICATION

MODEL NO.	CM-WT30L	CM-WT12L	SENSITIVITY SETTING	Comply to EN54, CNS	
TYPE	2-wire	3-wire	4-wire	AMBIENT TEMP.	-10°C ~ +55°C
VOLTAGE RANGE	12V ~ 30V DC		12VDC	AMBIENT HUMIDITY	0 ~ 95%
ALARM CURRENT	30mA(Max.)			MATERIAL	Fire-Proof plastics
ALARM CONTACT	N/A	0.8A @30V DC	DIMENSIONS	103 (Dia.) × 48(H)mm	
STANDBY CURRENT	24V DC / 25~30μA			WEIGHT	140g
POLARIZATION	Non-polarized	Polarized	Non-polarized	COLOR	Creamy White

## EFFECTIVE ALERT AREA

HEIGHT/CONSTRUCTION	UNDER 4 M	4M ~ 8M
AREA COVER	150 M <sup>2</sup>	75 M <sup>2</sup>

## ORDER INFORMATION

CM-WT30L-31	3-wire with remote indicator output
CM-WT30L-31H	3-wire with self-protection



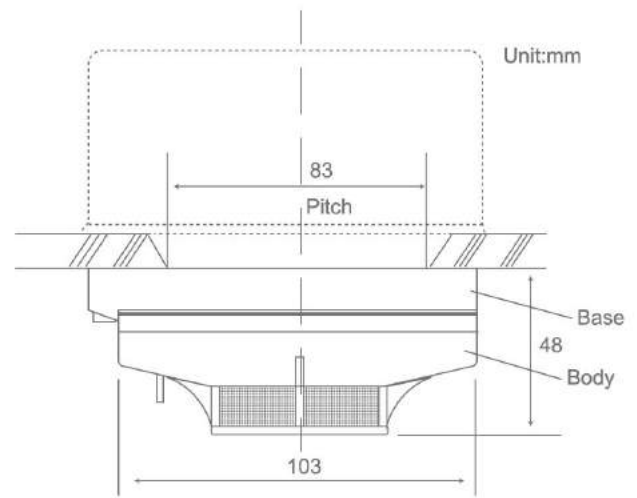
# CM-WTK55

Combination Smoke and Heat Detector

ISO9001  
Approvals: CE

## ADVANTAGES

- \* Multi-purpose Design: when there is smoke or heat during pre-fire period, field situation will vary due to different environments. This combination design is to ensure that the pre-fire confirmation will not be affected by varying environments
- \* This detector has passed strict quality control and repetitive testing, hence its quality is stable and highly reliable



## SPECIFICATION

MODEL NO.	CM-WTK55			SENSITIVITY SETTING	Comply to EN54, CNS
TYPE	2-wire	3-wire	4-wire	ALARM TEMP	
VOLTAGE RANGE	12V ~ 30V DC			AMBIENT TEMP	-10°C ~ +55°C
ALARM CURRENT @ DC 24V 750Ω	30mA(Max.)			AMBIENT HUMIDITY	0 ~ 95%
ALARM CONTACT	N/A	0.8A @30V DC		MATERIAL	Fire-Proof plastics
STANDBY CURRENT	24V DC / 25~30 μA			DIMENSIONS	103 (Dia.) × 48(H)mm
POLARIZATION	Non-polarized	Polarized	Non-polarized	WEIGHT	150g
				COLOR	Creamy White

## EFFECTIVE ALERT AREA

HEIGHT/CONSTRUCTION	UNDER 4 M	4M ~ 8M
AREA COVER	150 M <sup>2</sup>	75 M <sup>2</sup>

## ORDER INFORMATION

CM-WTK55-31	3-wire with remote indicator output
CM-WTK55-31H	3-wire with self-protection
CM-WTK55-41	4-wire with relay output

# CM-WSK701

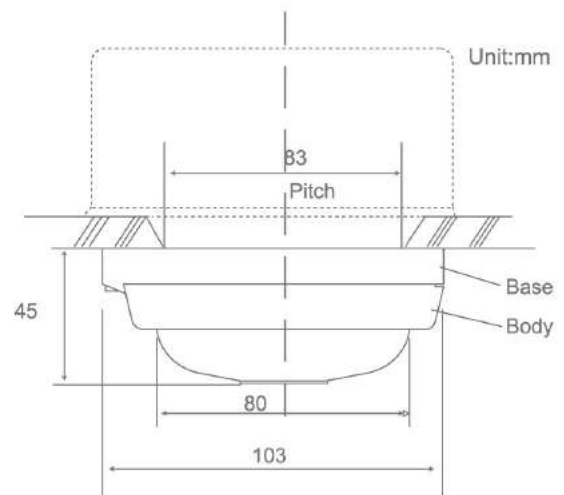
Multipurpose Heat Detector

ISO9001  
Approvals: CE



## ■ ADVANTAGES

- \* The sensitive of fixed temp. heat detector head is stabilized performance, long-term durability and least malfunction are ensured by employing a bimetal mechanism(certificated by UL)
- \* Mechanical operating principles ensure the long-term durability and the least malfunction
- \* The exhaust valve of R.O.R. Heat Detector part uses optical fiber glass capillary tubing that's heat-resistant and oisture-proof. Therefore,the fault alarm never occurs.



## ■ SPECIFICATION

MODEL NO.	CM--WSK701			SENSITIVITY SETTING	Comply to EN54, CNS
TYPE	2-wire	3-wire	4-wire	ALARM TEMP	
VOLTAGE RANGE	12V ~ 30V DC			AMBIENT TEMP	-10°C ~ +55°C
ALARM CURRENT @ DC 24V 750Ω	30mA(Max.)			AMBIENT HUMIDITY	0 ~ 95%
ALARM CONTACT	N/A	0.8A @30V DC		MATERIAL	Fire-Proof plastics
POLARIZATION	Non-polarized	Polarized	Non-polarized	DIMENSIONS	103 (Dia.) × 45(H)mm
COLOR	Creamy White			WEIGHT	126g

## ■ EFFECTIVE ALERT AREA

HEIGHT/CONSTRUCTION	UNDER 4 M	4M ~ 8M
Fire-Proof Building	70 M <sup>2</sup>	35 M <sup>2</sup>
Ordinary Building	40 M <sup>2</sup>	25 M <sup>2</sup>

## ■ ORDER INFORMATION

CM-WSK701-31	3-wire with remote indicator output
CM-WSK701-31H	3-wire with self-protection
CM-WSK701-41	4-wire with relay output

# CM-RD999

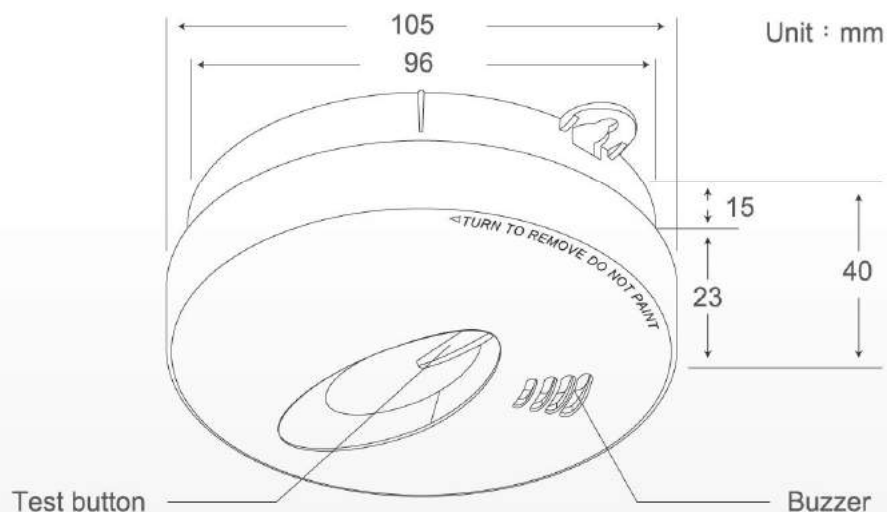
Residential Photoelectric Smoke Detector

ISO9001  
Approvals: CE



## ■ ADVANTAGES

- \* Quickly detect the slow combustion and the fire source of the smolder
- \* When battery is low, alarm signal will be sent (buzz once per 40 sec.). Meanwhile, it can normally operate about 30 days.
- \* Three-year warranty (not including battery)



## ■ SPECIFICATION

MODEL NO.	CM-RD999	AMBIENT TEMP.	-10°C ~ +55°C
TYPE	Stand alone type	MATERIAL	Fire-Proof plastics
VOLTAGE RANGE	9V DC Battery	DIMENSIONS	105 (Dia.) × 40 (H) mm
INDICATOR	Standby: flash every 40 seconds Alarm: flash and beep continuously Battery low: beeps and flash every 40 seconds	WEIGHT	Approx. 133g
SOUND OUTPUT	85 dB / M and above	COLOR	Creamy White
SENSITIVITY SETTING	Comply to EN 54	ACCESSORIES	9V Battery : Screws : Geckos : Steel nails : Hooks

# CM-BS21

4 Inch Mounting Base

ISO9001  
Approvals: CE



# CM-BS31

4 Inch Mounting Base

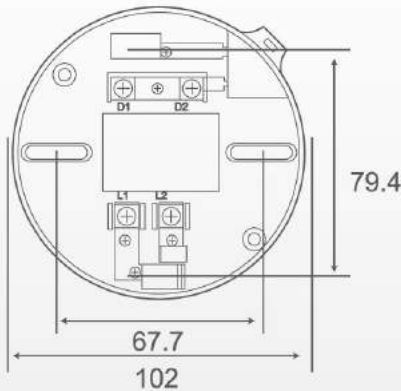
ISO9001  
Approvals: CE



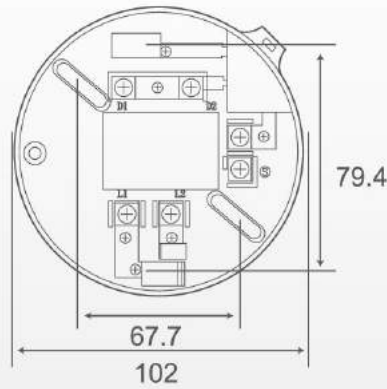
## SPECIFICATION

MODEL NO.	CM-BS21	CM-BS31	CM-BS31H	CM-BS41
TYPE	2-wire	3-wire	3-wire(Self-protection)	4-wire
SPECIFICATION	Apply to Fire Alarm Control Panel	Auxiliary for remote indicating lamp	Special purpose for mechanical R.O.R. Heat detector and Fixed temp. Heat Detector	12V DC or 24V DC varied base. Offer 1 set of transfer signal N.O. and N.C. contacts. Apply to security sys. and etc.
DIMENSIONS	102 (Dia.) × 15(H)mm			
ADVANTAGE	Applies to model nos. CM-WS19L, CM-WK100L, CM-WT30L, CM-WTK55 and CM-WSK701			
Remark	When order 4-wire base, pls. inform 12V DC, 24V DC or 48V DC base.			

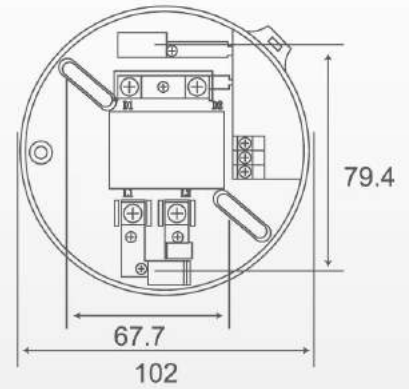
## CM-BS21



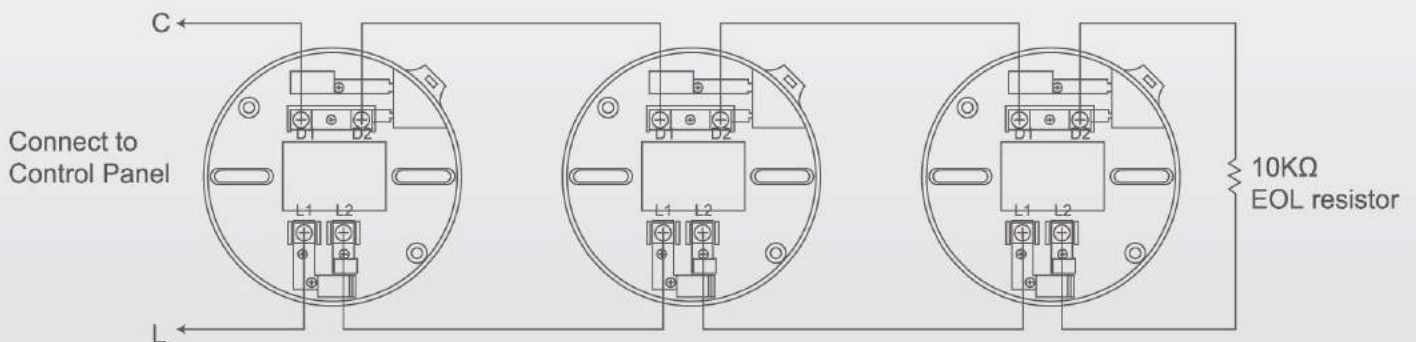
## CM-BS31/CM-BS31H



## CM-BS41



## Type:1 BS21 2-wire



# CM-BS31

4 Inch Mounting Base

ISO9001  
Approvals: CE



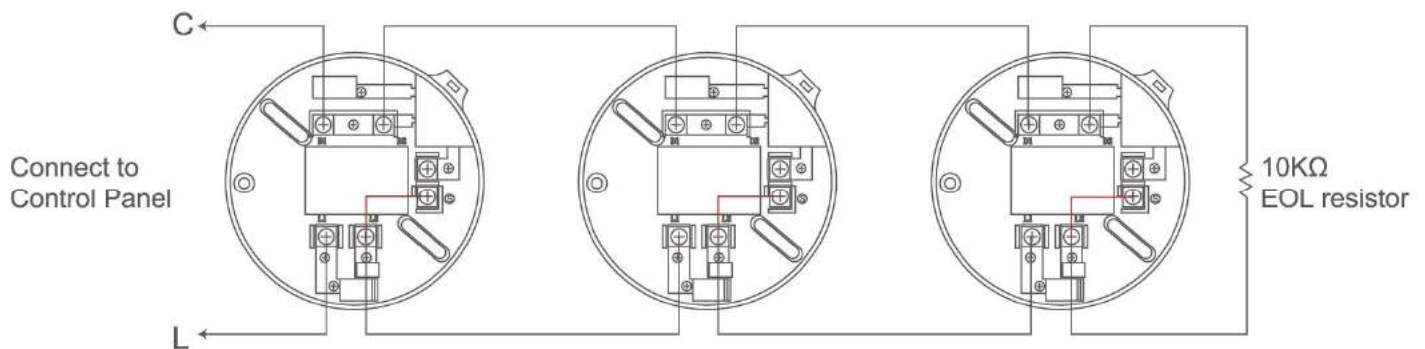
# CM-BS41

4 Inch Mounting Base

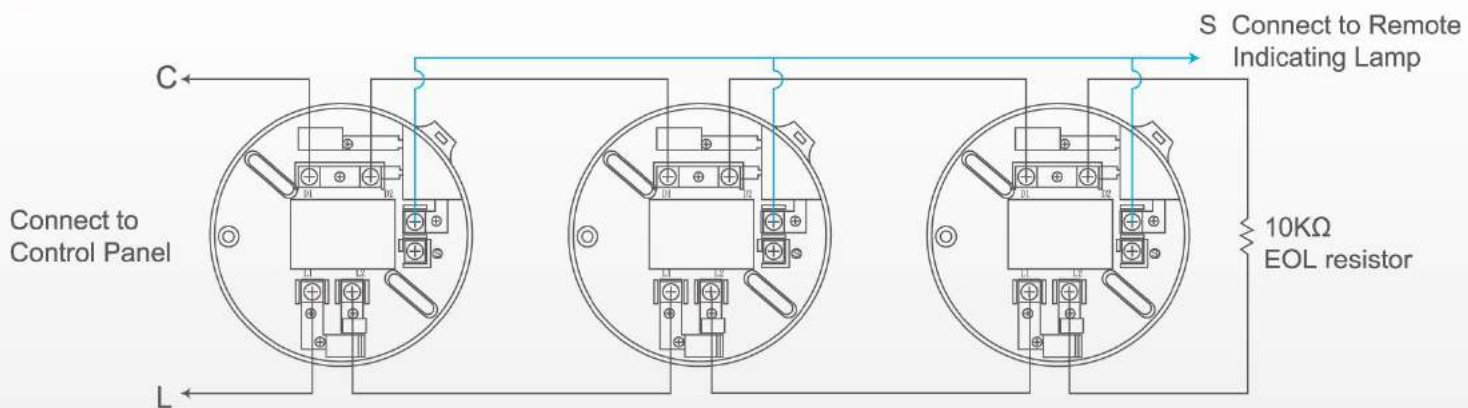
ISO9001  
Approvals: CE



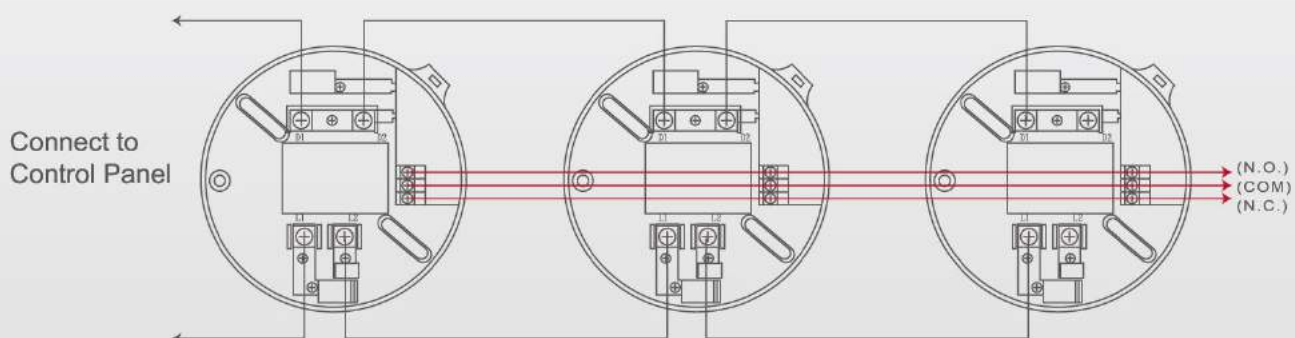
## ■ Type2 : BS31H 3-wire with self-protection(polarized)



## ■ Type3 : BS31 3-wire Auxiliary for remote Indicating lamp(polarized)



## ■ Type4 : BS41 4-Wire Relay Output(Maximum Contact Rating:30V DC/0.8A)



# CM-BS51

5 Inch Mounting Base

ISO9001

Approvals: CE



# CM-BS51R

5 Inch Mounting Base

ISO9001

Approvals: CE



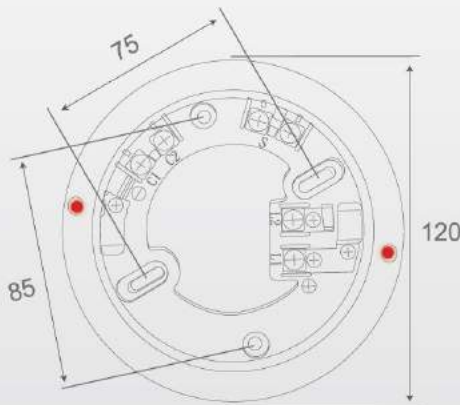
## 5 INCH SPECIFICATION

MODEL NO.	CM-BS51	CM-BS51R
TYPE	2-wire	3-wire
SPECIFICATION	Apply to Fire Alarm Control Panel	Auxiliary for remote indicating lamp
DIMENSIONS	120 (Dia.) × 15(H)mm	
POLARIZATION	Polarized	
ADVANTAGE	Applies to model nos. CM-WS19L, CM-WK100L, CM-WT30L, CM-WTK55 and CM-WSK701	

## 6 INCH SPECIFICATION

MODEL NO.	CM-BS61
TYPE	2-wire
SPECIFICATION	Apply to Fire Alarm Control Panel
DIMENSIONS	120 (Dia.) × 25(H)mm
ADVANTAGE	Applies to model nos. CM-WS19L, CM-WK100L, CM-WT30L, CM-WTK55 and CM-WSK701

## CM-BS51 & CM-BS51R



Unit : mm

# CM-BS51

5 Inch Mounting Base

ISO9001

Approvals: CE

# CM-BS51R

5 Inch Mounting Base

ISO9001

Approvals: CE

# CM-BS61

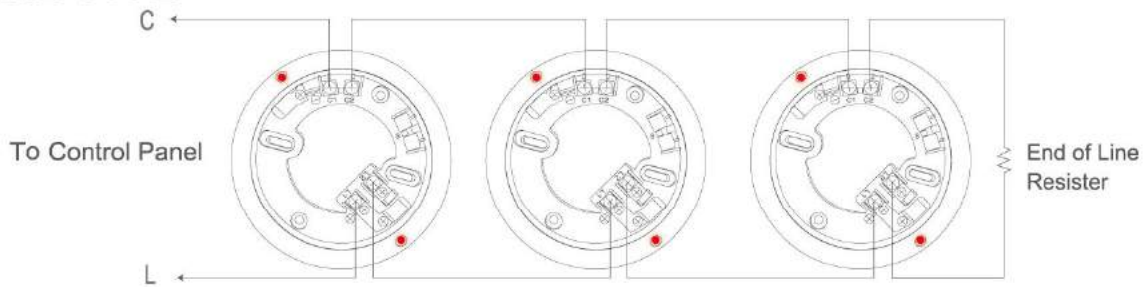
6 Inch Mounting Base

ISO9001

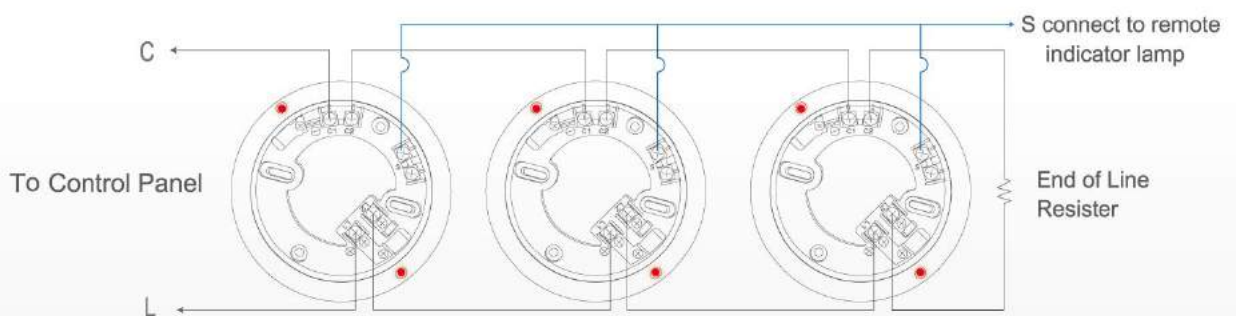
Approvals: CE



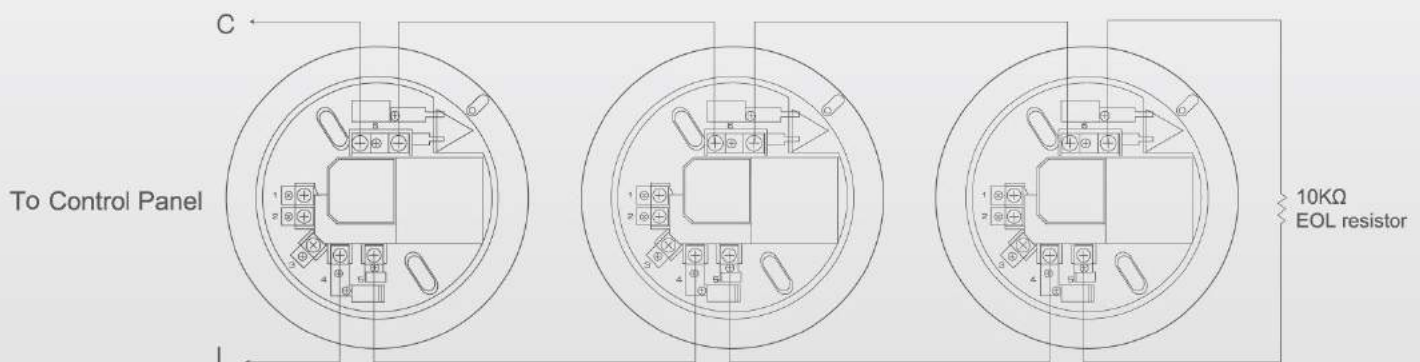
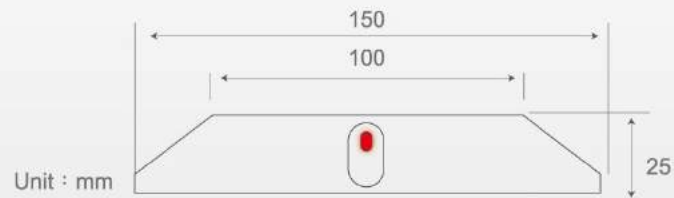
## 2-WIRE TYPE



## 3-WIRE TYPE



## CM-BS61







# CM-FP1

Fire Manual Call Point

ISO9001

Approvals: CE RoHS

# CM-FP116

Fire Manual Call Point

ISO9001

Approvals: CE



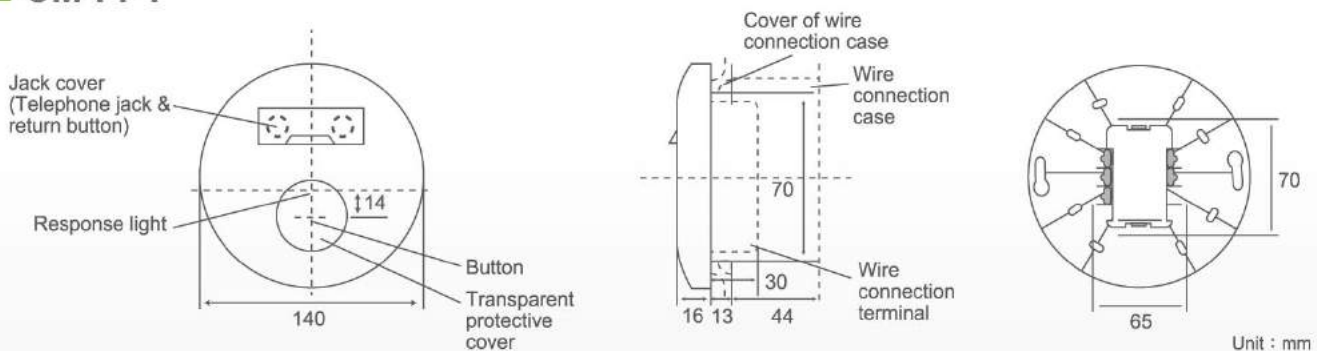
## ■ ADVANTAGES CM-FP1

- \* Auto-Return by pushing button, no need to disassemble the main body
- \* Response light available to identify the operation completed
- \* Reinforced transparent protective cover is reusable.

## ■ ORDER INFORMATION

CM-FP1	Fire Manual Call Point
CM-FP1B	Fire Manual Call Point with base
CM-FP116	Fire Manual Call Point(Glass)

## ■ CM-FP1



## ■ SPECIFICATION

MODEL NO.	CM-FP1	CM-FP116
VOLTAGE RANGE	24V DC	
ALARM CURRENT	30 mA	-
OPERATING CONTACT	Max. 24V DC 800mA	Max. 36V DC 3A
SUB-FUNCTION	Phone jack : Confirmation LED : Reset button	-
OPTION	Base	Glass : Cover
MATERIAL	Fire-Proof plastics	
DIMENSIONS	Φ 140 (mm)	86(L)×86(W) × 50(H)mm
WEIGHT	155g	200g
COLOR	Red	



CM-FP116

# CM-FB4

Fire Alarm Bell 4 Inch

ISO9001

Approvals: CE RoHS



# CM-FB6

Fire Alarm Bell 6 Inch

ISO9001

Approvals: CE RoHS



## ADVANTAGES CM-FB4 & CM-FB6

- \* The way of motor-driven is taken at the low consumption of current to reduce the load for power output from receiver terminal
- \* This design of exceptional structure is sturdy and durable. The bell even can ring to last 40 hours without decline of the performance and structure

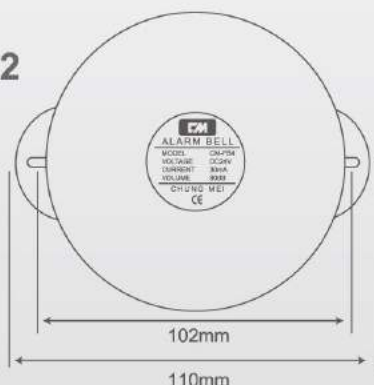
## SPECIFICATION

MODEL NO.	CM-FB4	CM-FB412	CM-FB6	CM-FB612
TYPE	24V DC	12V DC	24V DC	12V DC
VOLTAGE RANGE	35 mA	60 mA	35 mA	60 mA
ALARM LIGHT	Motor			
MOVEMENT	1.8 mm Steel Sheet		3.0 Alloy Alu	
DIMENSIONS	Φ4" (102mm)		Φ6" (150mm)	
WEIGHT	333g		414g	
SOUND OUTPUT	90 dB / M and above			
COLOR	Red			

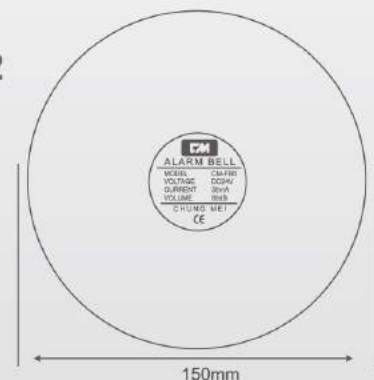
## ORDER INFORMATION

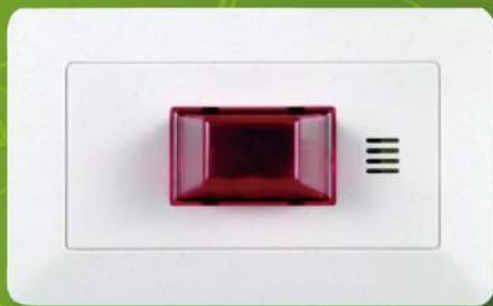
CM-FB4	Φ4" : 24V DC	CM-FB6	Φ6" : 24V DC
CM-FB412	Φ4" : 12V DC	CM-FB612	Φ6" : 12V DC

### CM-FB4 CM-FB412



### CM-FB6 CM-FB612





# PI-01

Remote indicating lamp

ISO9001

Approvals: CE

# CM-FL3 & FL2

Fire indicating lamp

ISO9001

Approvals: CE RoHS



## ■ ADVANTAGES

### CM-FL3 & CM-FL2

- \* The lamp cover and base are made of PC fire-proof plastics and are stylish outwards, enduring with high temp. as well as able to bear forceful bump.
- \* The exceptional treatment on the interior surface of the lamp cover promotes the light quite even.

### PI-01

- \* This unit is designed to ensure the alarm signal can be actually transmitted to all locations.
- \* The remote indicating lamp can be accomplished maintenance easily

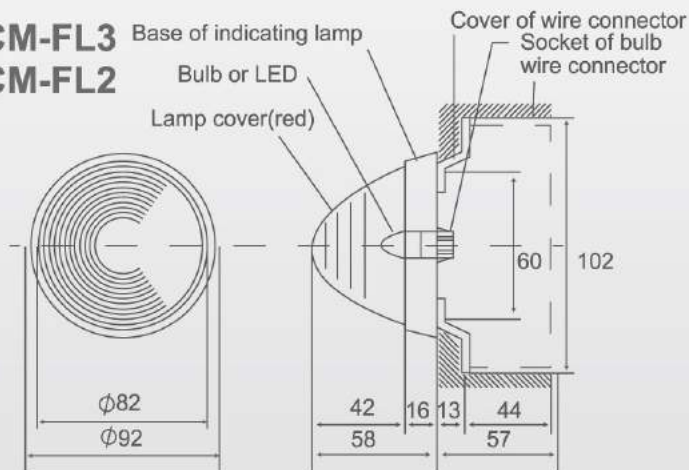
## ■ SPECIFICATION

MODEL NO.	CM-FL3	CM-FL2	PI-01
VOLTAGE RANGE	24V DC		
ALARM CURRENT	100 mA	20 mA	100mA
MATERIAL	Fire-Proof plastics		
WEIGHT	55g		68g
DIEMENSIONS	Φ92 × 58(H)mm		120(W) × 75(H) × 50(D)mm
COLOR	Red		White

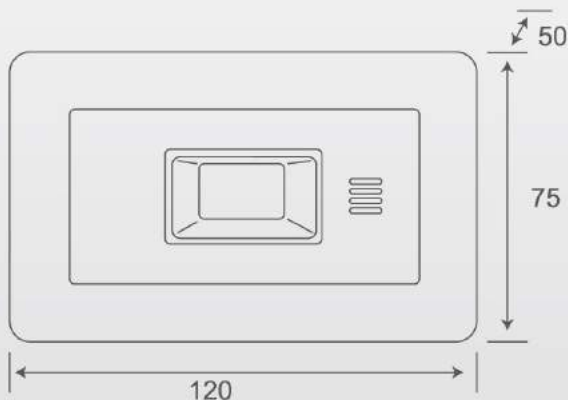
## ■ ORDER INFORMATION

CM-FL3	Fire Indicating Lamp
CM-FL2	Fire Indicating Lamp with LED
CM-FL1	Fire Indicating Lamp with red LED
CM-FL20	Light Emitting Diode
PI-01	Remote Indicating Lamp

### ■ CM-FL3 CM-FL2



### ■ P1-01



# CM-PBL2

Fire Alarm Complex (Recess)

ISO9001

Approvals: CE

# CM-PBL1

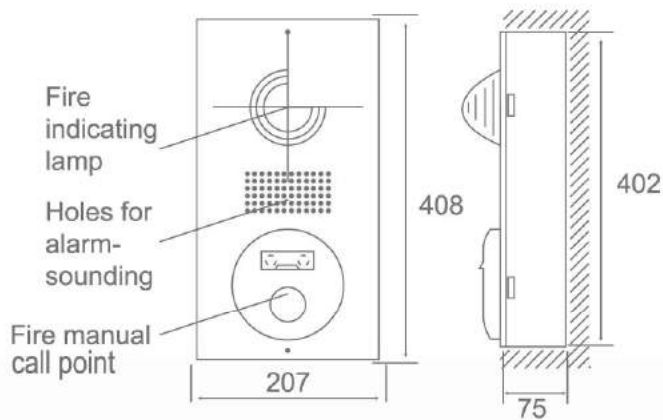
Fire Alarm Complex(Surface)

ISO9001

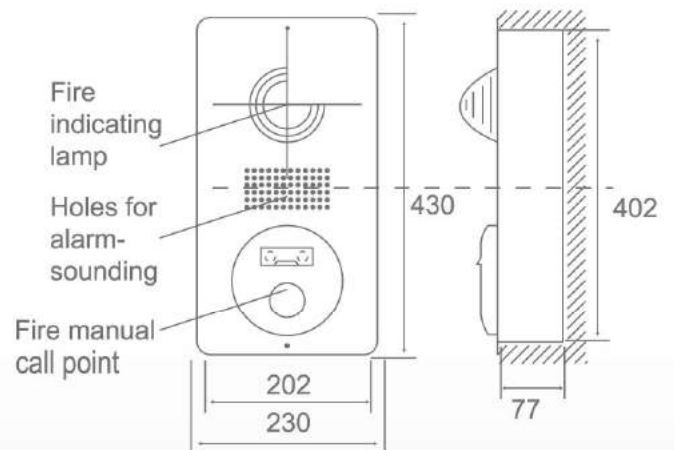
Approvals: CE



## ■ CM-PBL1



## ■ CM-PBL2



## ■ SPECIFICATION

MODEL NO.	CM-PBL1	CM-PBL2
TYPE	Surface mounting	Recess mounting
LOCK MODEL	Screw	
MATERIAL	1.2mm Powder coating iron plate	
DIMENSIONS	Surface: 408(H) × 207(W)mm Base: 402(H) × 201(W) × 75(D)mm	Surface: 430(H) × 230(W)mm Base: 402(H) × 202(W) × 77(D)mm
WEIGHT	2.5kg	
COLOR	Ivory White	

# CM-P1

Fire Alarm Control Panel

ISO9001

Approvals: CE



## ■ ADVANTAGES

- \* Zone range is from 5 to 100 zones
- \* 2 stages accumulation function to prevent from false alarms
- \* With no voltage output contacts and voltage contacts
- \* The unit also can combine with our broadcast host and emergency telephone into 3-in-1 system for multipurpose

## ■ EXTERNAL DIMENSIONS

MODEL	Wall Mounting Type				
CIRCUIT NO.	5L - 10L	15L	25L - 30L	35L - 40L	40L - 50L
H (mm)	400	495	580	700	760
W (mm)	300	300	300	480	480
D (mm)	120	120	120	120	180

Other circuit and dimensions can be order.

## ■ SPECIFICATION

MODEL NO.	CM-P1	CHARGING VOLTAGE & CURRENT	DC 24V operation voltage 5V, below 32mA
POWER SUPPLY	AC 230V 50/60Hz	DETECTORS	No limit of R.O.R. Heat or Fixed Temp. Heat detect can be installed; each circuit can connect to a maximum of 16 smoke detector (monitoring current for detector: 24V DC 45μA)
STAND-BY BATTERY	DC 24V		
EOL RESISTOR	10KΩ	NO. OF INDICATORS	1.2 times of panel circuits (LED indicator)
EXTERNAL CIRCUIT RESISTANCE	To-and-fro below 50 Ω	CASE MATERIAL	1.2 mm - 2.0mm Steel plate with powder coating
NO. OF BELLS	1.2 times of panel circuits	MAIN AUDIO	No voltage N.O. contact
MAIN AUDIO	Single-tone buzzer, above 85dB	REPORT CONTACT	Capacity AC 250V 7A × 2 sets

## ■ ORDER INFORMATION

CM-P1	FACP with battery	SPARE MODEL NO.
OPTION MODEL NO.		
-T	Optional Telephone 1 set	
-A	Optional no voltage contacts (5 ZONES as 1 unit)	YFP-T4(5 ZONES as 1 unit)
-B	Optional voltage contacts (5 ZONES as 1 unit)	YFP-T3(5 ZONES as 1 unit)
-C	Optional annunciator output (It need to be ordered when it's connected to Annunciator Panel : 5 ZONES as 1 unit)	YFP-T8(A): (5 ZONES as 1 unit) YFP-T8(B): (10 ZONES as 1 unit)
-D	Optional ZONE BELL (5 ZONES as 1 unit)	YFP-T3(5 ZONES as 1 unit) YFP-D1(5 ZONES as 1 unit)

# CM-P3

Fire Alarm Control Panel

ISO9001  
Approvals: CE



## ■ ADVANTAGES

- \* Zone range is from 1 to 24 zones
- \* Key-controlled function switches prevent false alarms caused by accidental touch
- \* The fire alarm circuit and indicator circuit are able to detect circuit break and offer protection against short circuit

## ■ ORDER INFORMATION

CM-P3-1L	FACP 01 zone with battery
CM-P3-2L	FACP 02 zone with battery
CM-P3-4L	FACP 04 zone with battery
CM-P3-8L	FACP 08 zone with battery
CM-P3-12L	FACP 12 zone with battery
CM-P3-16L	FACP 16 zone with battery
CM-P3-24L	FACP 24 zone with battery

## ■ SPECIFICATION

MODEL NO.	CM-P3	STAND-BY BATTERY	DC 24V Sealed Maintenance -Free Lead-Acid Battery
POWER SUPPLY	AC 240V 50/60Hz $\pm$ 10%	CIRCUIT VOLTAGE & CURRENT	DC 24V Short Circuit Voltage 5V Below 32mA
CHARGING VOLTAGE & CURRENT	DC 26V Below 450mA Trickle Charging	DETECTORS	No limit of R.O.R. Heat or Fixed Temp. Heat detect can be installed; each circuit can connect to a maximum of 16 smoke detector (monitoring current for detector: 24V DC 40 $\mu$ A)
EXTERNAL CIRCUIT	To-and-fro below 50 $\Omega$	REPORT CONTACT	No-voltage Normally-Open contact point Capacity: AC 250V 7A
EOL RESISTOR	10K $\Omega$		
NO. OF INDICATORS	1 times of panel circuits		
NO. OF BELLS	1 times of panel circuits		
CASE MATERIAL	Standard Material of 1.2mm		

## ■ EXTERNAL DIMENSIONS \* Other circuit and dimensions can be order.

MODEL	CM-P3		
CIRCUIT NO.	1L/2L/4L/8L	12L/16L	24L
H (mm)	400	495	580
W (mm)	300	300	300
D (mm)	120	120	120

# CM-CA

The Alarm LED Annunciator

ISO9001

Approvals: CE



## ■ ADVANTAGES

- \* The circuit indicating LED simultaneously display as the host FACP. Increasing efficiency to deal with the fire alarm
- \* Build-in communication device with the host FACP
- \* Simultaneously reset function

## ■ FEATURES

MODEL NO.	CM-CA
FEATURES	Simultaneously display zone LED with main FACP
	LED light with 3 states available to show zone state
	Equipped with communication with main FACP
	With synchronically reset function
	Independent main audio, alarm audio buzzers and independent mute switch
ACCESSORIES	Telephone 1 set

## ■ EXTERNAL DIMENSIONS

MODEL	Wall Mounting Type				
CIRCUIT NO.	5L - 15L	20L	25L	30L - 40L	45L - 50L
H (mm)	400	495	580	580	700
W (mm)	300	300	300	480	480
D (mm)	120	120	120	120	180

## ■ CHUNG MEI FIRE FIGHTING SUPPLIER CO., LTD THE TABLE OF PACKING/WEIGHTS/SIZES

UNIT: mm

MODEL NO.	DESCRIPTION	PACKING	N/W	G/W	MEASUREMENT (L×W×H)
CM-P1-05L	with battery & telephone	1 SET / CTN	8.4	9.4	570×355×180
CM-P1-10L		1 SET / CTN	9.1	10.1	570×355×180
CM-P1-15L		1 SET / CTN	11.5	12.5	675×355×180
CM-P1-20L		1 SET / CTN	12.2	13.2	74×355×180
CM-P1-25L		1 SET / CTN	18.7	19.7	620×525×230
CM-P1-30L		1 SET / CTN	22.2	23.2	620×525×230
CM-P1-35L		1 SET / CTN	23	24	760×515×230
CM-P1-40L		1 SET / CTN	24	25	760×515×230
CM-P1-45L		1 SET / CTN	25	26	820×520×230
CM-P1-50L		1 SET / CTN	25	26	820×520×230
CM-P3-1L	with battery & without telephone	1 SET / CTN	6.1	6.5	345×290×145
CM-P3-2L		1 SET / CTN	6.1	6.5	
CM-P3-4L		1 SET / CTN	6.16	6.5	
CM-P3-8L		1 SET / CTN	6.16	6.5	460×350×180
CM-P3-12L		1 SET / CTN	7.6	8.5	
CM-P3-16L		1 SET / CTN	7.6	8.5	
CM-P3-24L		1 SET / CTN	8.5	9.6	
CM-WS19L	2-WIRE	100 PCS / CTN	16.5	19	560×460×310
CM-WS25L	2-WIRE	100 PCS / CTN	11.65	16.1	560×460×310
CM-WK100L	2-WIRE	100 PCS / CTN	10.75	19	560×460×310
CM-WT30L	2-WIRE	100 PCS / CTN	13.7	19	560×460×310
CM-WT12L	4-WIRE	100 PCS / CTN	13.7	19	560×460×310
CM-WT32L	2-WIRE	100 PCS / CTN	13.8	19	560×460×310
CM-WT33L	2-WIRE	100 PCS / CTN	13.1	18	560×460×310
CM-WTK55	2-WIRE	100 PCS / CTN	14.05	19	560×460×310
CM-WSK701	2-WIRE	100 PCS / CTN	13.45	19	560×460×310
CM-RD999	with 9V battery	50 PCS / CTN	6	7.5	550×260×240
CM-FP1	without base	40 PCS / CTN	6.1	9.2	580×315×300
CM-FB6		20 PCS / CTN	8.34	10.9	340×325×325
CM-FB4		40 PCS / CTN	13.7	16.7	550×300×235
CM-FL3/FL2		100 PCS / CTN	5.8	9.6	510×440×430
CM-PBL1/PBL2		5 PCS / CTN	11.5	12.6	510×420×230